

Modular Cooking Range Line EVO900 Gas Cylindrical Boiling Pan 100lt direct heat

ITEM # _____

MODEL # _____

NAME # _____

SIS # _____

AIA # _____



392106 (Z9BSGHDPF0)

100-lt gas boiling pan, direct heating

Short Form Specification

Item No. _____

Suitable for natural gas or LPG. To be installed on cantilever systems but also incorporates fixing points for bridging. Robust burners in stainless steel with flame failure device and protected pilot light. Exterior panels of unit in stainless steel with Scotch Brite finish. Pressed well with rounded edges manufactured from AISI 316 stainless steel. Right-angled side edges to allow flush-fitting junction between units.

Main Features

- Round kettle is suitable to cook, sauté or poach all kinds of produce.
- Produce is uniformly heated in the base and side walls of the kettle by a direct heating system.
- Appliance is IPX5 water resistance certified.
- Energy regulation through a control knob.
- No overshooting of cooking temperatures, fast reaction.
- Large capacity food tap enables safe and effortless discharging of contents.
- Ergonomic: the depth of the vessel facilitates stirring the food, also the most delicate food.
- Discharge tube and tap are very easy to clean from outside.
- Solenoid valve to refill with hot and cold water.
- Smooth large surfaces, easy access for cleaning.
- The special design of the control knob system guarantees against water infiltration.

Construction

- Pressed cooking vessel in 316L AISI Stainless steel.
- Robust burners in stainless steel with flame failure device, protected pilot light and optimized combustion.
- All exterior panels in Stainless Steel with Scotch Brite finishing.
- Model has right-angled side edges to allow flush fitting joints between units, eliminating gaps and possible dirt traps.

Sustainability

- Firmly fitting cover to reduce cooking time and save energy costs.

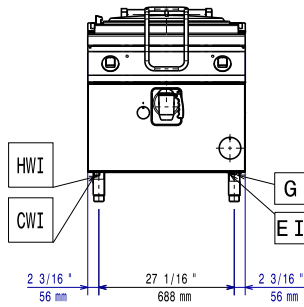
APPROVAL: _____

Optional Accessories

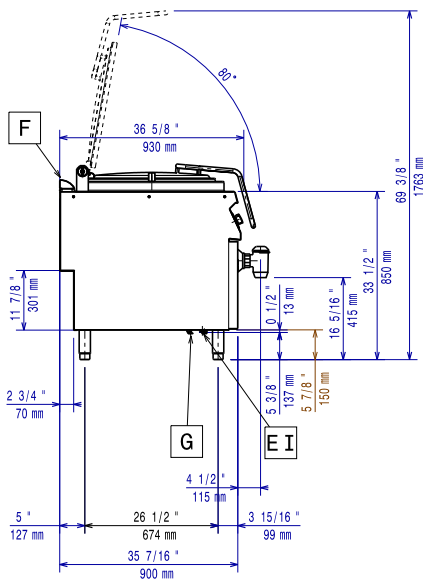
- | | | |
|--|------------|--------------------------|
| • Junction sealing kit | PNC 206086 | <input type="checkbox"/> |
| • Draught diverter, 150 mm diameter | PNC 206132 | <input type="checkbox"/> |
| • Matching ring for flue condenser, 150 mm diameter | PNC 206133 | <input type="checkbox"/> |
| • 4 wheels, 2 swivelling with brake (EVO700/900). It is mandatory to install with base supports for feet/wheels. | PNC 206135 | <input type="checkbox"/> |
| • Flanged feet kit | PNC 206136 | <input type="checkbox"/> |
| • Frontal kicking strip for concrete installation, 800 mm | PNC 206148 | <input type="checkbox"/> |
| • Frontal kicking strip for concrete installation, 1000 mm | PNC 206150 | <input type="checkbox"/> |
| • Frontal kicking strip for concrete installation, 1200 mm | PNC 206151 | <input type="checkbox"/> |
| • Frontal kicking strip for concrete installation, 1600 mm | PNC 206152 | <input type="checkbox"/> |
| • Frontal kicking strip, 800 mm | PNC 206176 | <input type="checkbox"/> |
| • Frontal kicking strip, 1000 mm | PNC 206177 | <input type="checkbox"/> |
| • Frontal kicking strip, 1200 mm | PNC 206178 | <input type="checkbox"/> |
| • Frontal kicking strip, 1600 mm | PNC 206179 | <input type="checkbox"/> |
| • Pair of side kicking strips | PNC 206180 | <input type="checkbox"/> |
| • 2 panels for service duct (single installation) | PNC 206181 | <input type="checkbox"/> |
| • 2 panels for service duct (back to back installation) | PNC 206202 | <input type="checkbox"/> |
| • 4 feet for concrete installation (not for 900 line freestanding grill) | PNC 206210 | <input type="checkbox"/> |
| • Flue condenser for 1 module, 150 mm diameter | PNC 206246 | <input type="checkbox"/> |
| • Chimney upstand, 800 mm | PNC 206304 | <input type="checkbox"/> |
| • 2 side covering panels, height 700 mm, depth 900 mm | PNC 206335 | <input type="checkbox"/> |
| • Base support for feet or wheels - 800mm (EVO700/900) | PNC 206367 | <input type="checkbox"/> |
| • Base support for feet or wheels - 1200mm (EVO700/EVO900) | PNC 206368 | <input type="checkbox"/> |
| • Base support for feet or wheels - 1600mm (EVO700/900) | PNC 206369 | <input type="checkbox"/> |
| • Base support for feet or wheels - 2000mm (EVO700/900) | PNC 206370 | <input type="checkbox"/> |
| • Rear paneling - 800mm (EVO700/900) | PNC 206374 | <input type="checkbox"/> |
| • Rear paneling - 1000mm (EVO700/900) | PNC 206375 | <input type="checkbox"/> |
| • Rear paneling - 1200mm (EVO700/900) | PNC 206376 | <input type="checkbox"/> |
| • Chimney grid net, 400mm | PNC 206400 | <input type="checkbox"/> |
| • Trolley with lifting and removable tank | PNC 922403 | <input type="checkbox"/> |
| • 2-section universal basket for 100lt boiling pans | PNC 925018 | <input type="checkbox"/> |
| • Measuring rod for 100 l boiling pan | PNC 927001 | <input type="checkbox"/> |
| • Pressure regulator for gas units | PNC 927225 | <input type="checkbox"/> |

Modular Cooking Range Line EVO900 Gas Cylindrical Boiling Pan 100lt direct heat

Front

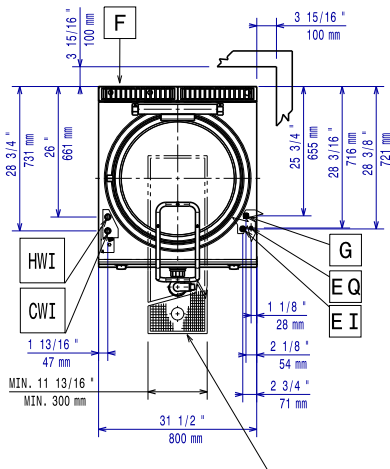


Side



- CWI1** = Cold Water inlet 1 (cleaning) **HWI** = Hot water inlet
D = Drain
EI = Electrical inlet (power)
G = Gas connection

Top



Electric

Supply voltage:
392106 (Z9BSGHDPF0) 220-230 V/1 ph/50 Hz
 Total Watts: 0.1 kW

Gas

Gas Power: 21 kW
 Standard gas delivery: Natural Gas G20 (20mbar)
 Gas Type Option: LPG; Natural Gas
 Gas Inlet: 1/2"

Key Information:

Pan useful capacity: 98 lt
 Vessel (round) diameter: 600 mm
 Net weight: 135 kg
 Shipping weight: 109 kg
 Shipping height: 1130 mm
 Shipping width: 1110 mm
 Shipping depth: 860 mm
 Shipping volume: 1.08 m³

No clearance needed on rear sides of unit if wall is of non combustible type. If wall is combustible, minimum 50 mm wall clearance should be maintained.

Certification group: N9PDG